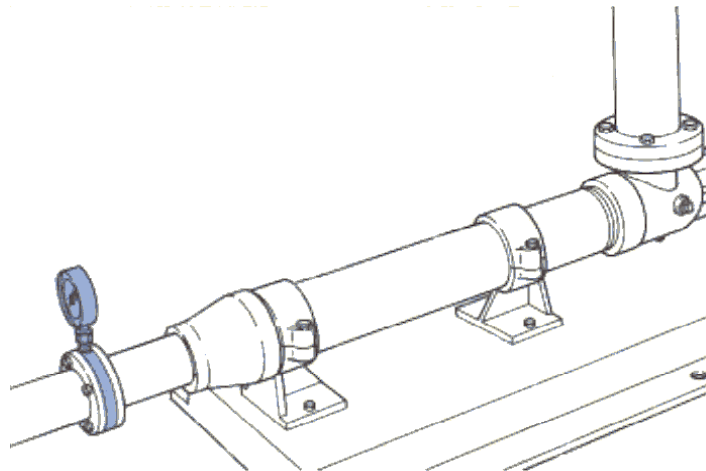


## 4. Manómetro y Sensores

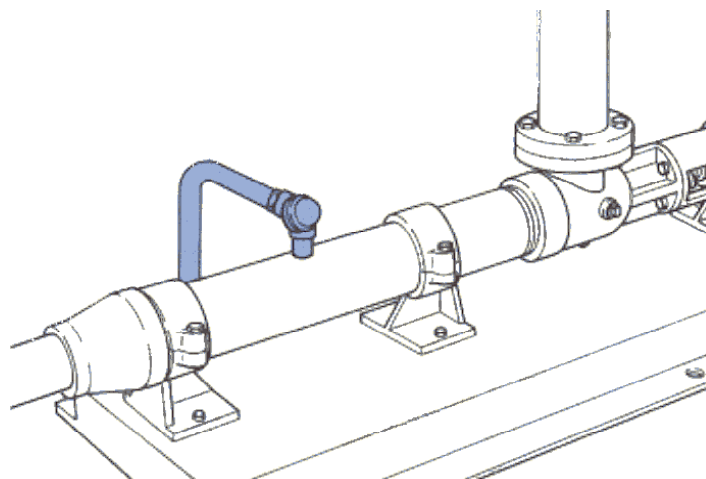
### 4.1 Manómetro de presión de carga

Pressure switch installed in pump discharge or suction line. Zero flow will indicate low pressure condition, trip a sensor and shut off the pump drive in case of dry running. The device can also protect against over-pressurization.



### 4.2 Sensor de temperatura

Temperature probe installed in the pump stator. In case of dry running, the stator temperature will rise and the probe will switch pump motor.



## 4. Manómetro y Sensores

### 4.3 Sensor de succión

Electrical capacitance sensor installed in the pump suction, the sensor will switch off the pump motor.

